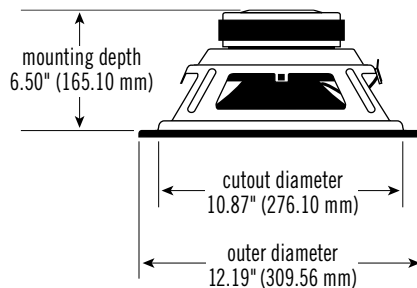


## SPECIFICATIONS

DIAMETER:	12" (304.8 mm)
SENSITIVITY (2.83 V @ 1 m):	96 dB (IN-CAR @ 40 Hz)
POWER HANDLING:	350 W <sub>RMS</sub> (1,400 W <sub>PEAK</sub> )
FREQUENCY RESPONSE:	18 ~ 150 Hz
NOMINAL IMPEDANCE:	4 OHMS
VOICE-COIL DIAMETER:	2.0" (50.8 mm)

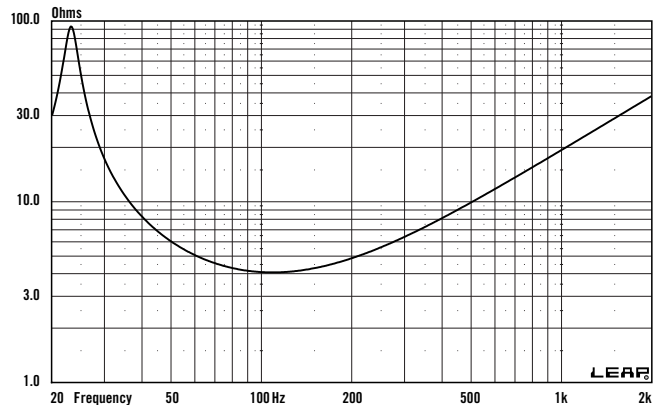
### DIMENSIONS:



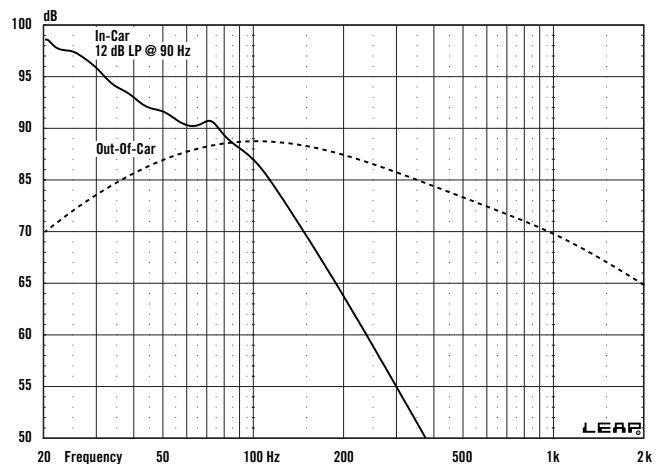
## THIELE-SMALL PARAMETERS

VOICE COIL DC RESISTANCE:	$R_{EVC}$ (OHMS) . . . . .	4.00
VOICE COIL INDUCTANCE @ 1 kHz:	$L_{EVC}$ (MH) . . . . .	3.05
DRIVER RADIATING AREA:	$S_D$ (IN <sup>2</sup> ) . . . . .	81.94
	$S_D$ (CM <sup>2</sup> ) . . . . .	531.00
MOTOR FORCE FACTOR:	$BL$ (TM) . . . . .	16.90
COMPLIANCE VOLUME:	$V_{AS}$ (FT <sup>3</sup> ) . . . . .	3.53
	$V_{AS}$ (LITERS) . . . . .	83.28
SUSPENSION COMPLIANCE:	$C_{MS}$ (μM/N) . . . . .	208.00
MOVING MASS, AIR LOAD:	$M_{MS}$ (GRAMS) . . . . .	224.00
MOVING MASS, DIAPHRAGM:	$M_{MD}$ (GRAMS) . . . . .	216.96
FREE-AIR RESONANCE:	$F_S$ (Hz) . . . . .	23.32
MECHANICAL Q:	$Q_{MS}$ . . . . .	10.28
ELECTRICAL Q:	$Q_{ES}$ . . . . .	0.46
TOTAL Q:	$Q_{TS}$ . . . . .	0.44
MAGNETIC-GAP HEIGHT:	$H_{AG}$ (IN) . . . . .	0.39
	$H_{AG}$ (MM) . . . . .	9.80
VOICE-COIL HEIGHT:	$H_{VC}$ (IN) . . . . .	1.50
	$H_{VC}$ (MM) . . . . .	38.10
MAXIMUM EXCURSION:	$X_{MAX}$ (IN) . . . . .	0.56
	$X_{MAX}$ (MM) . . . . .	14.15

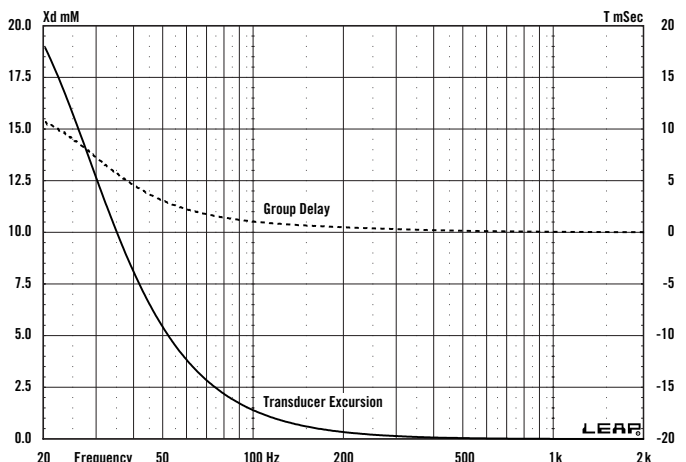
## IMPEDANCE CURVE



## INFINITE BAFFLE FREQUENCY RESPONSE @ 2.83 V



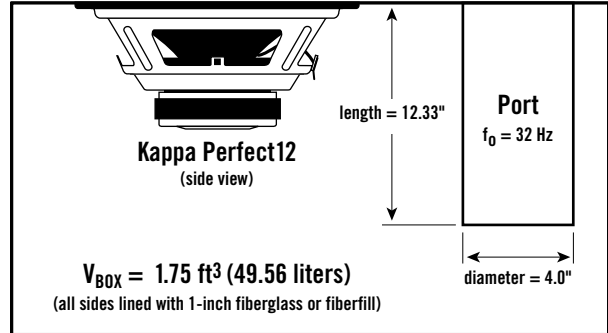
## INFINITE BAFFLE EXCURSION/GROUP DELAY @ 250 W



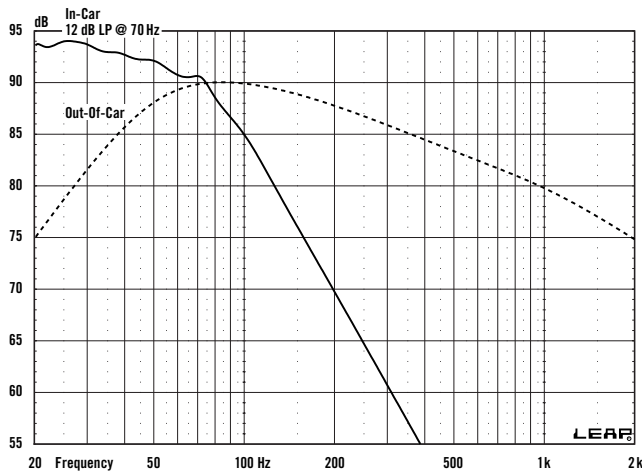
## SEALED BOX VOLUME



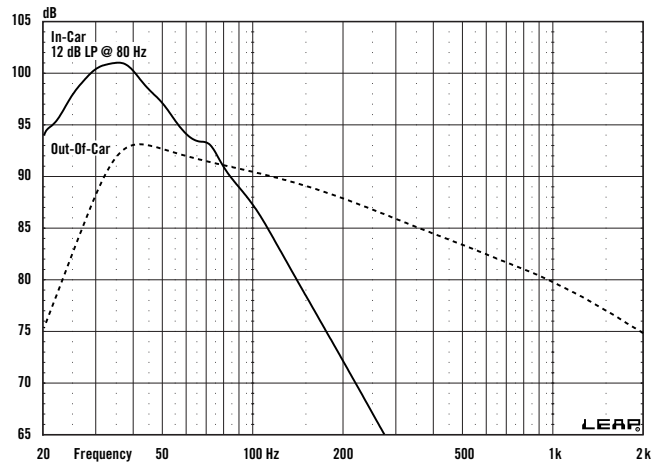
## VENTED BOX VOLUME



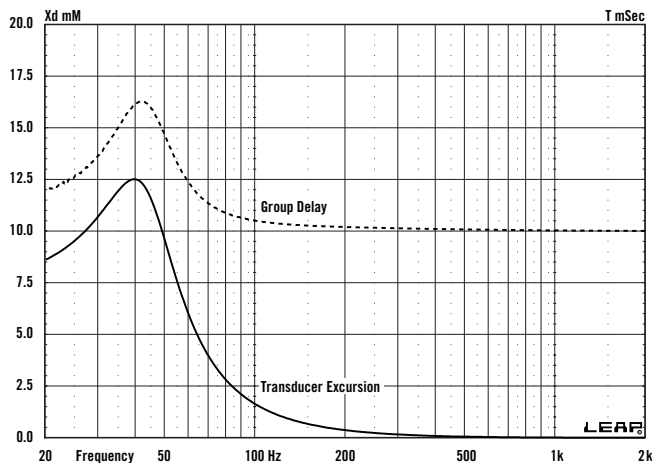
## SEALED FREQUENCY RESPONSE @ 2.83 V



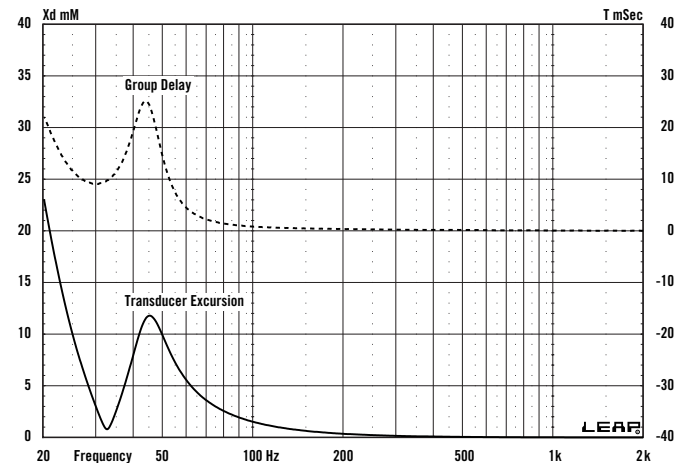
## VENTED FREQUENCY RESPONSE @ 2.83 V



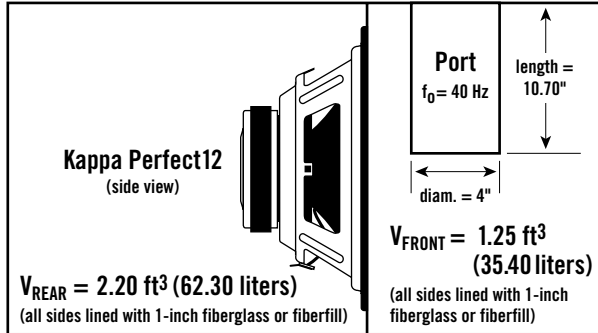
## SEALED EXCURSION/GROUP DELAY @ 500 W



## VENTED EXCURSION/GROUP DELAY @ 650 W

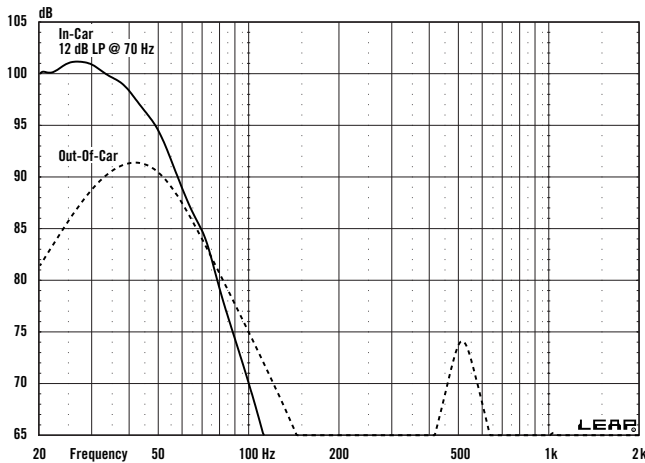


## SEALED BANDPASS BOX VOLUME



## NOTES

## SEALED BANDPASS FREQUENCY RESPONSE @ 2.83 V



## SEALED BANDPASS EXCURSION/GROUP DELAY @ 350 W

